

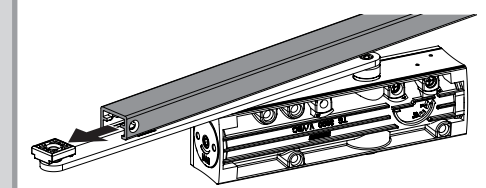
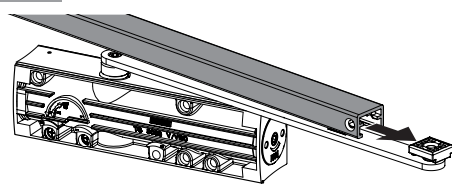
TS 3000 V
 TS 3000 V BC
 TS 3000 EC
 TS 3000 EC BC
 TS 3000 EN 3



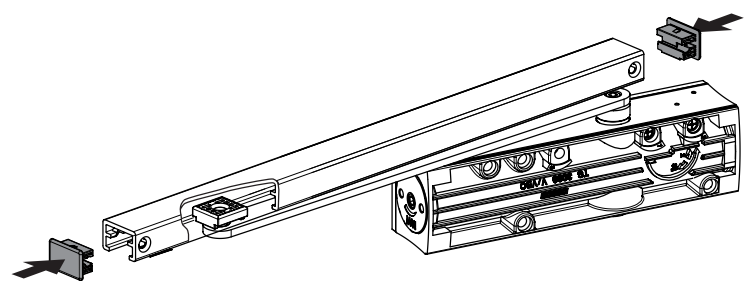
011208-14



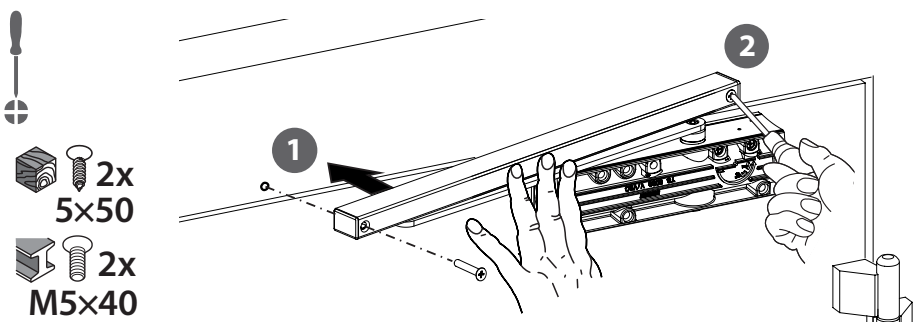
4



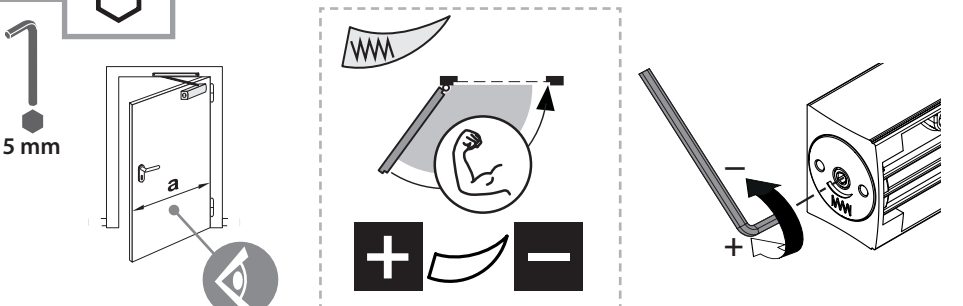
5



6

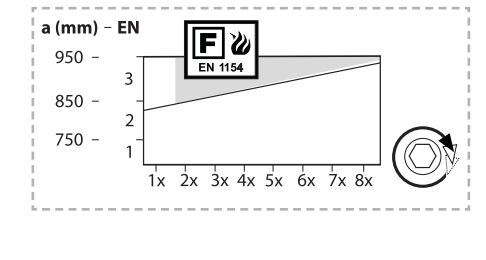
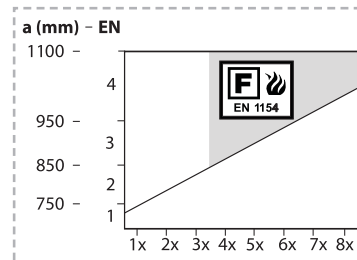


7

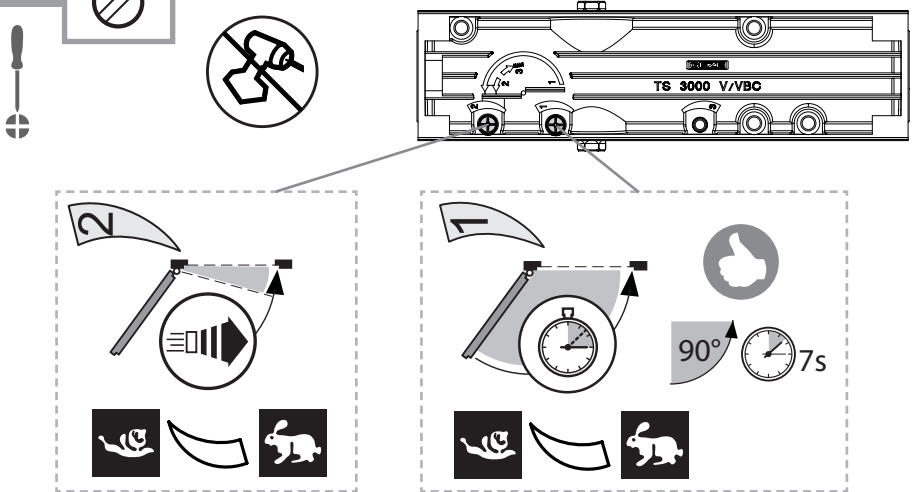


TS 3000 V / V BC

TS 3000 EC / EC BC

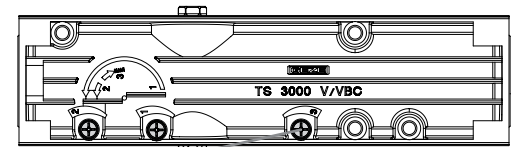
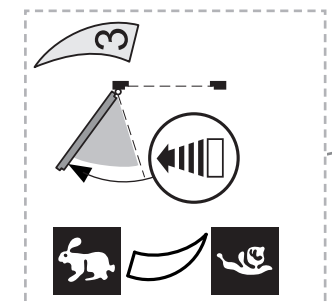


8

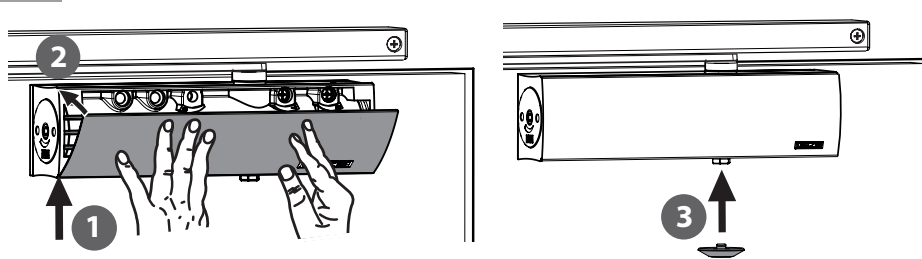


i+

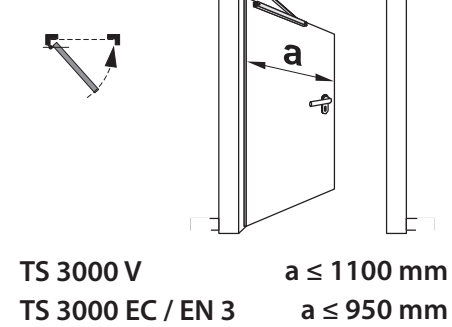
TS 3000 V BC
 TS 3000 EC BC



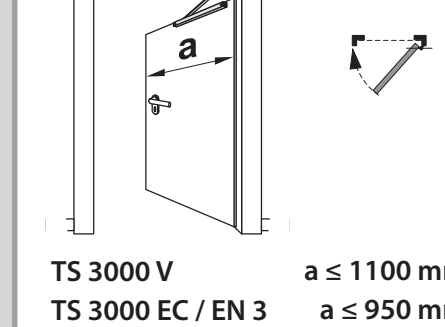
9



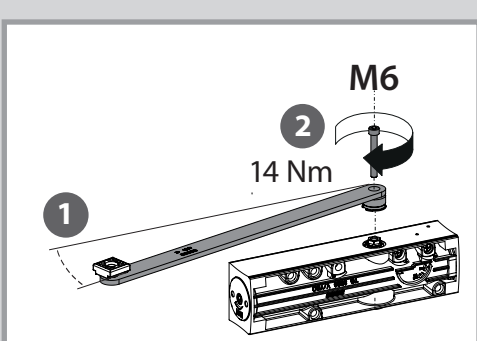
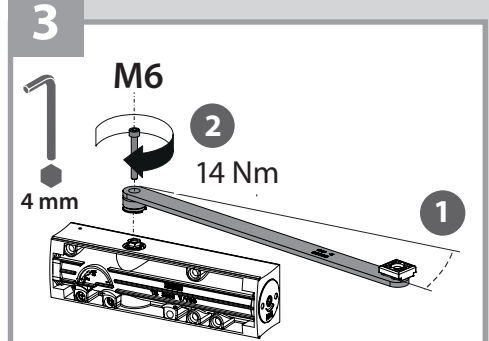
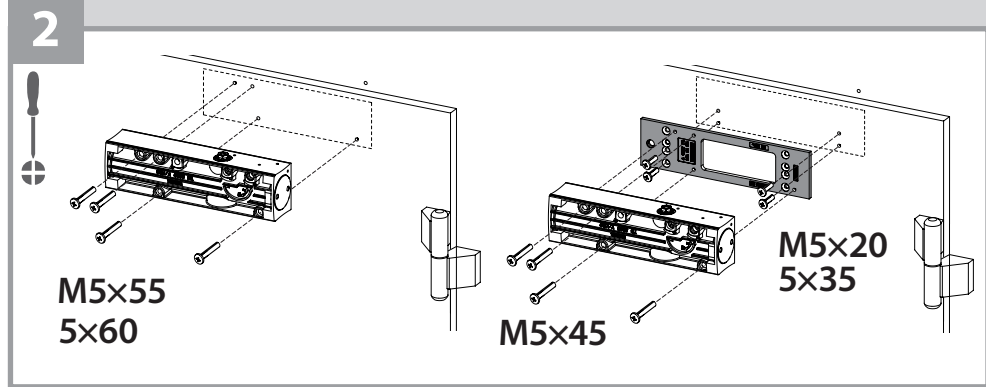
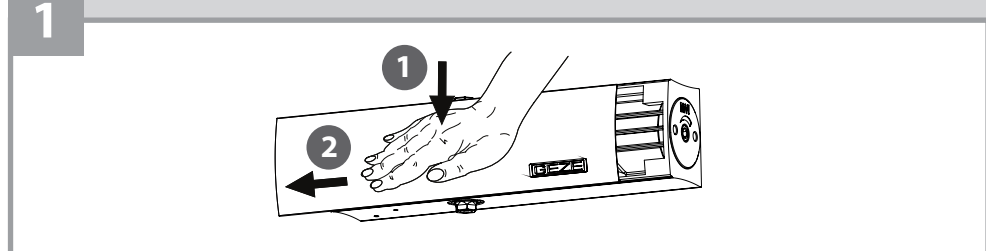
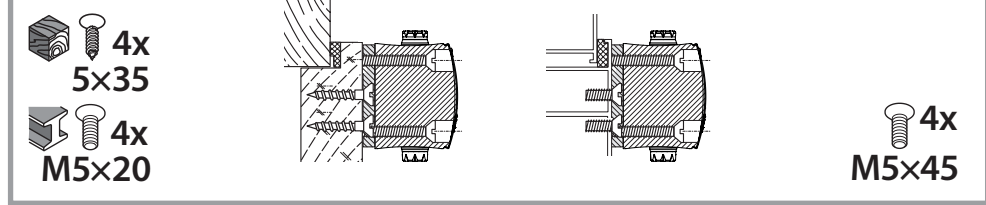
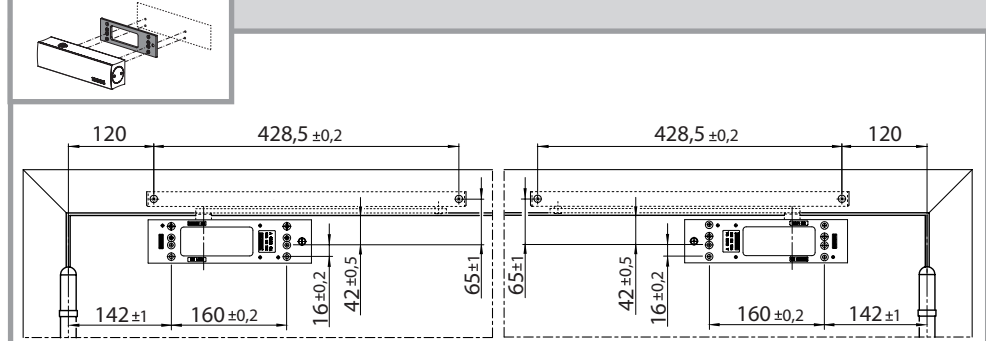
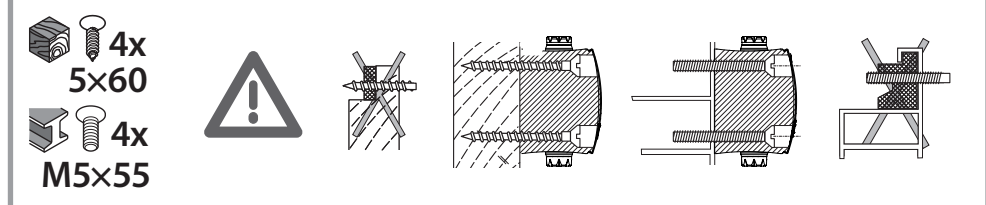
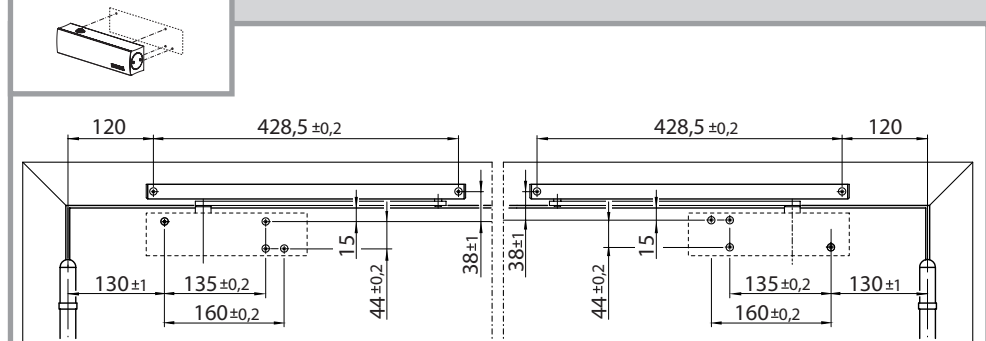
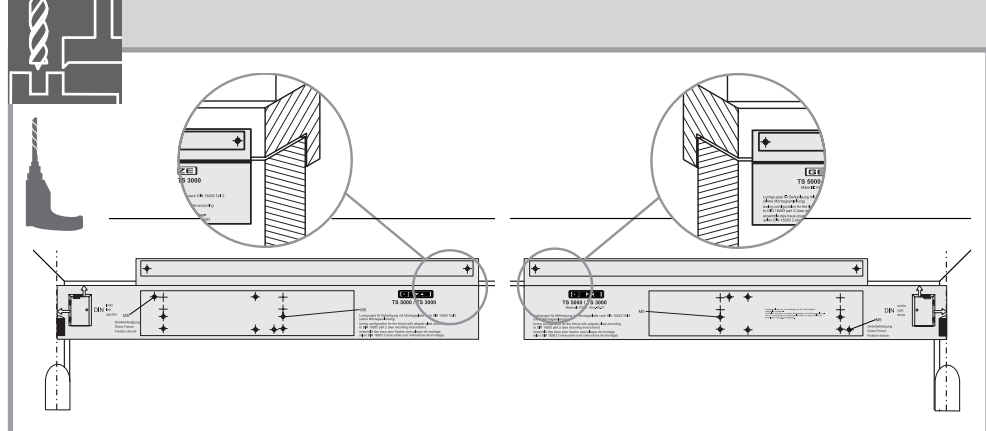
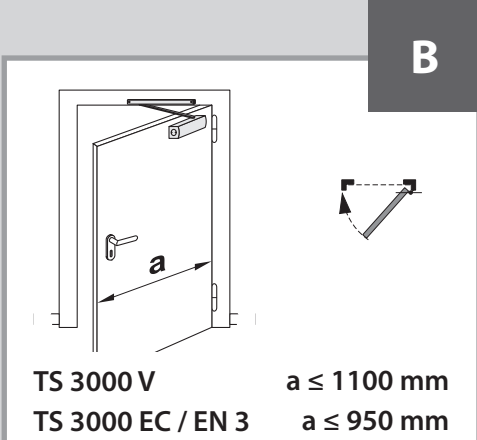
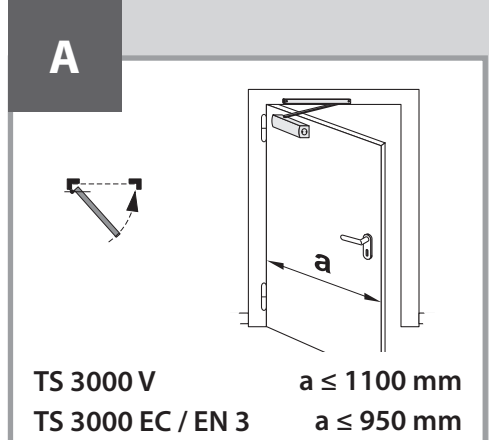
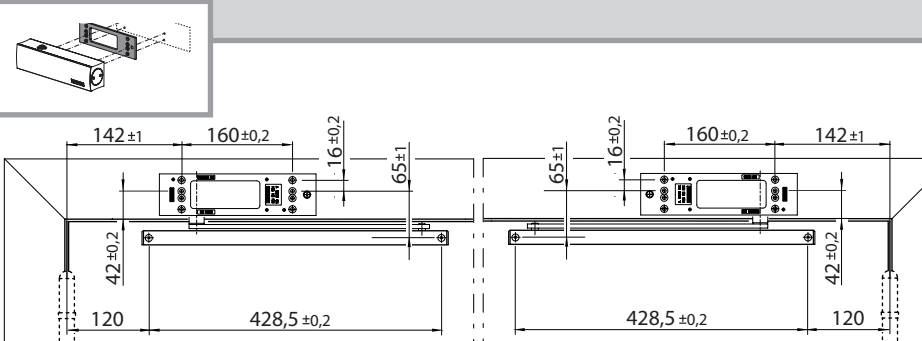
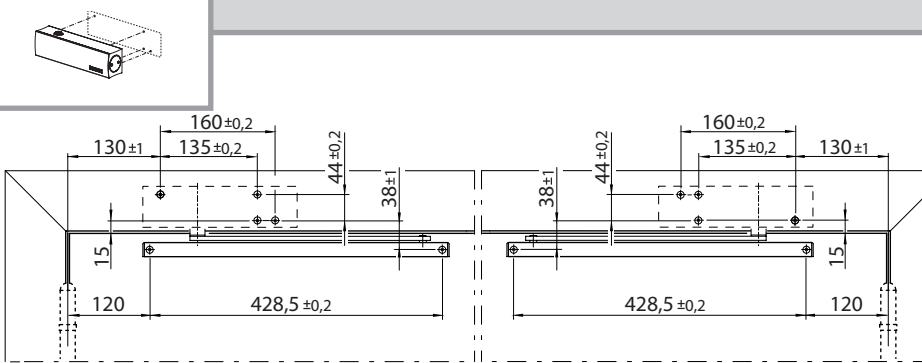
i

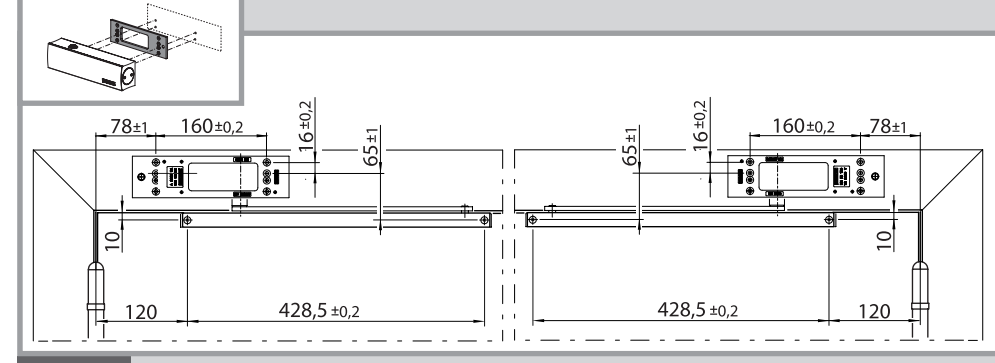
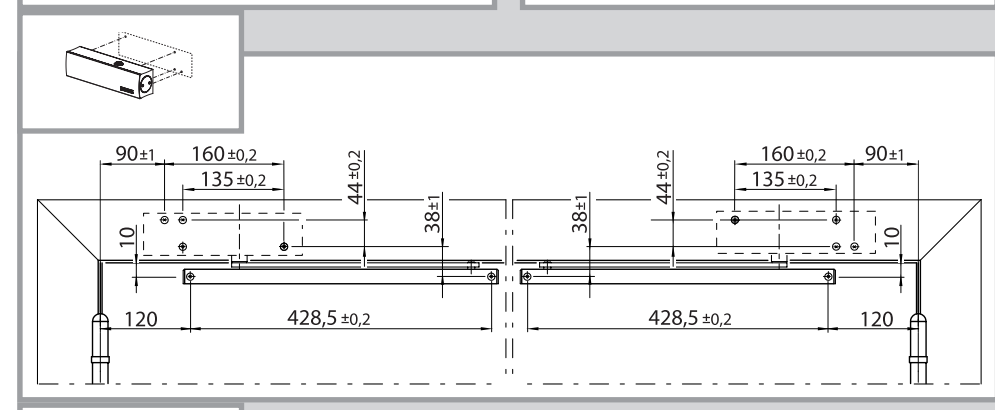
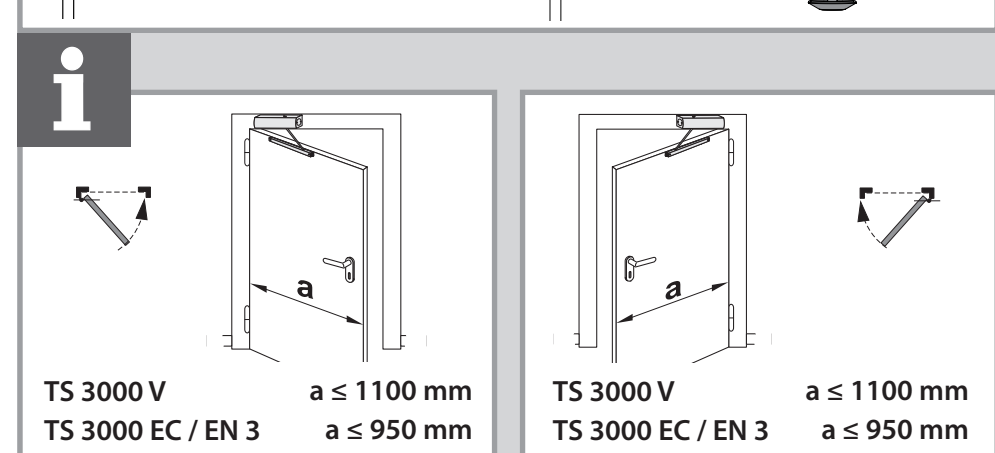
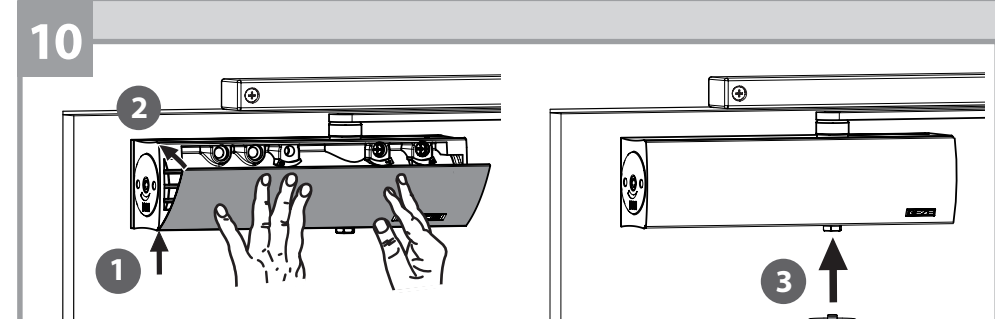
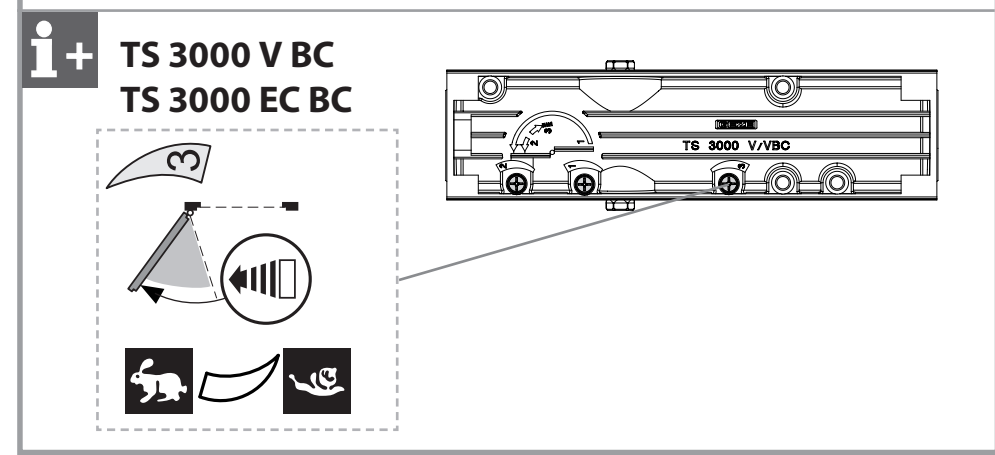
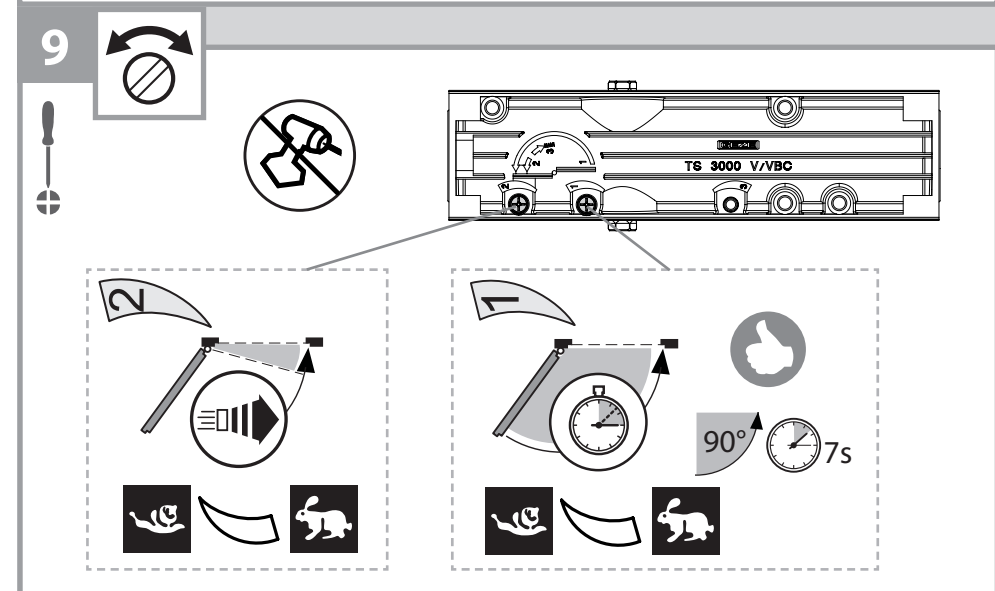
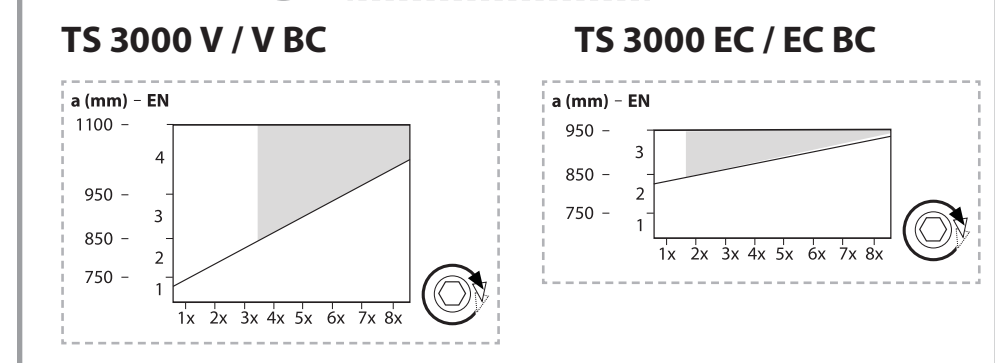
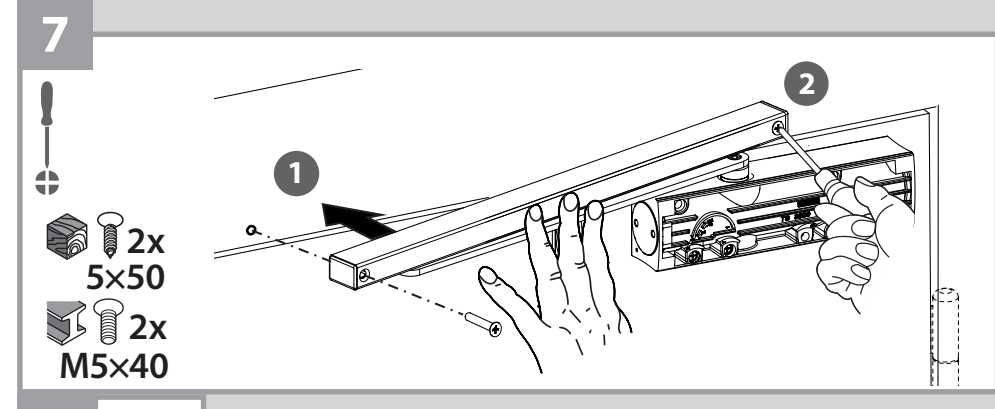
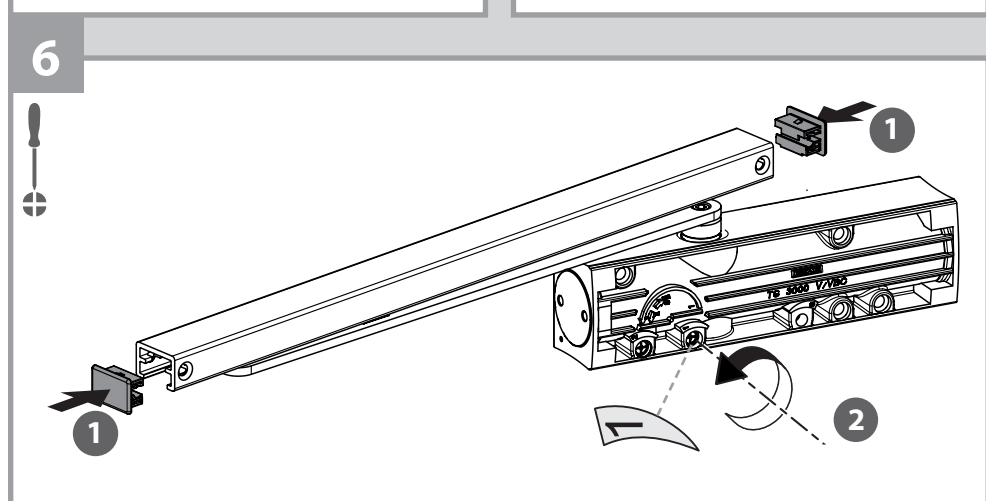
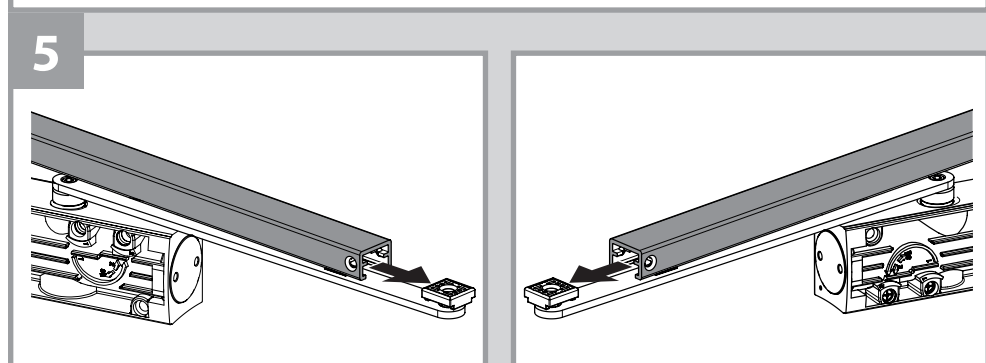
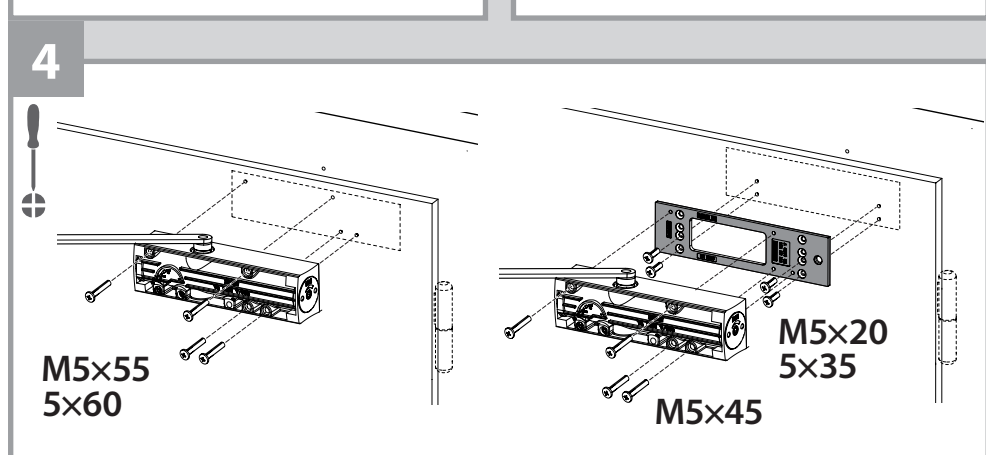
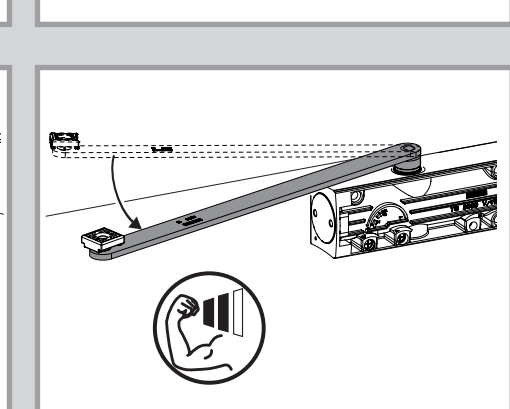
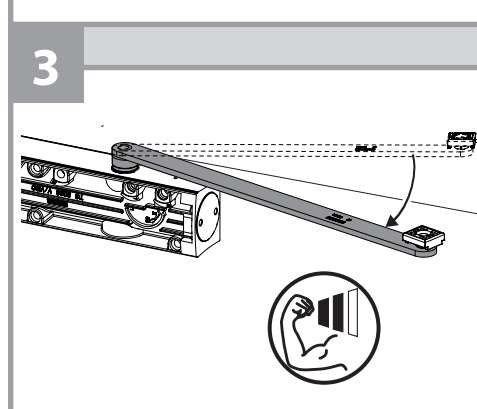
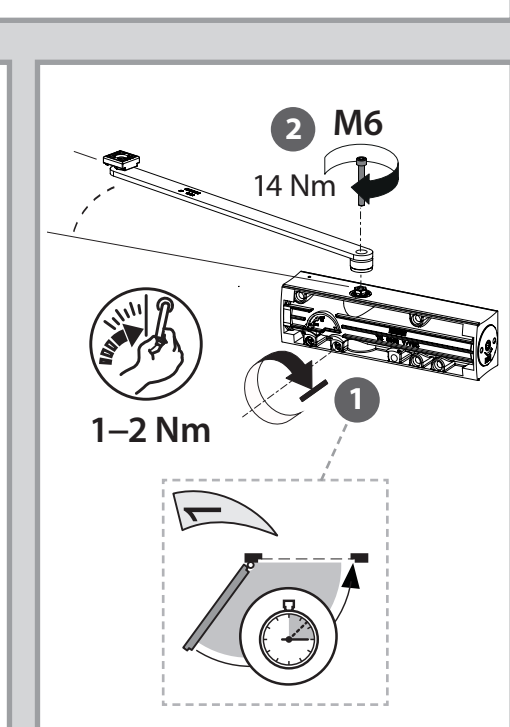
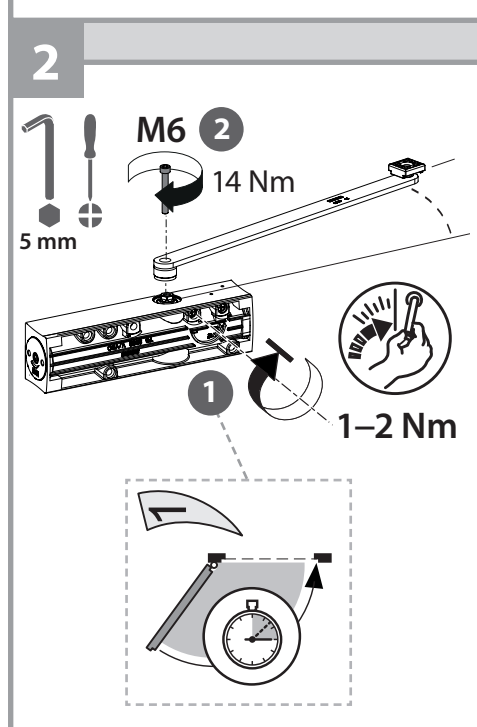
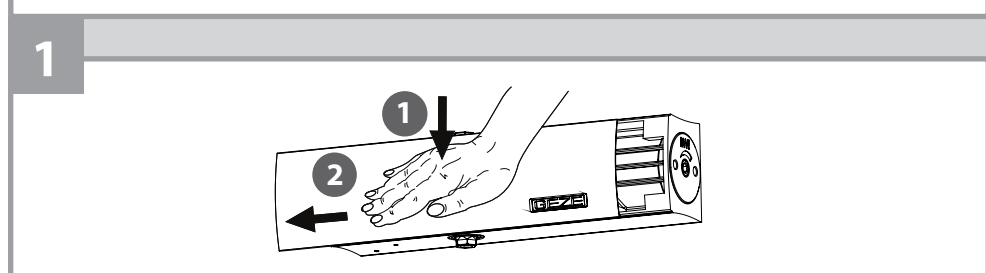
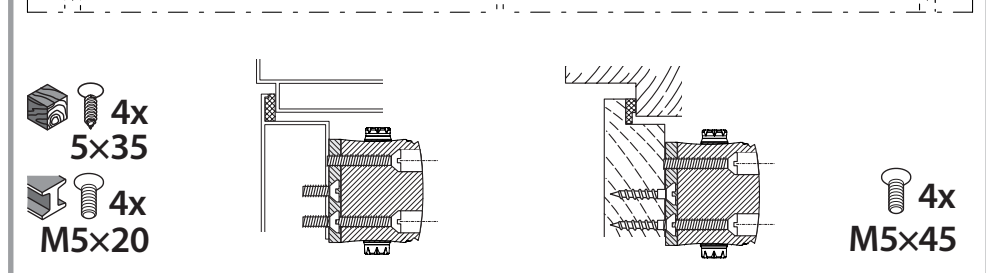
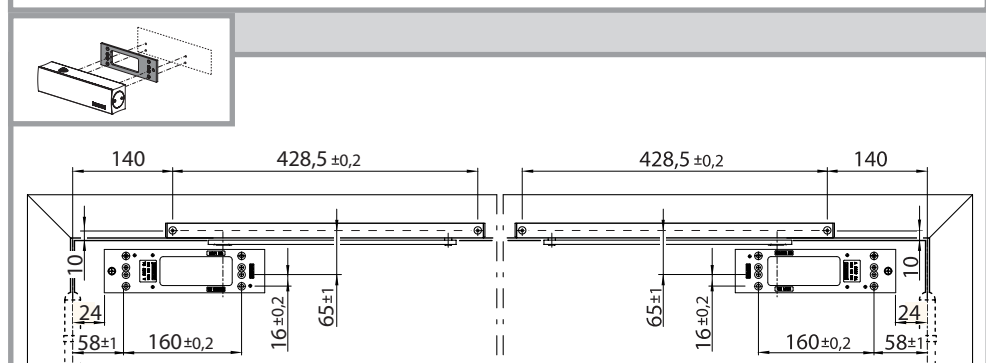
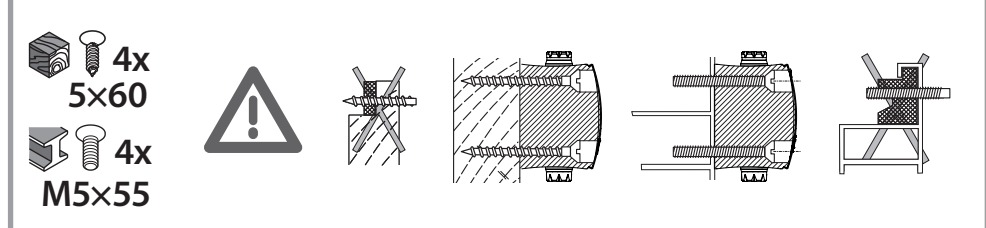
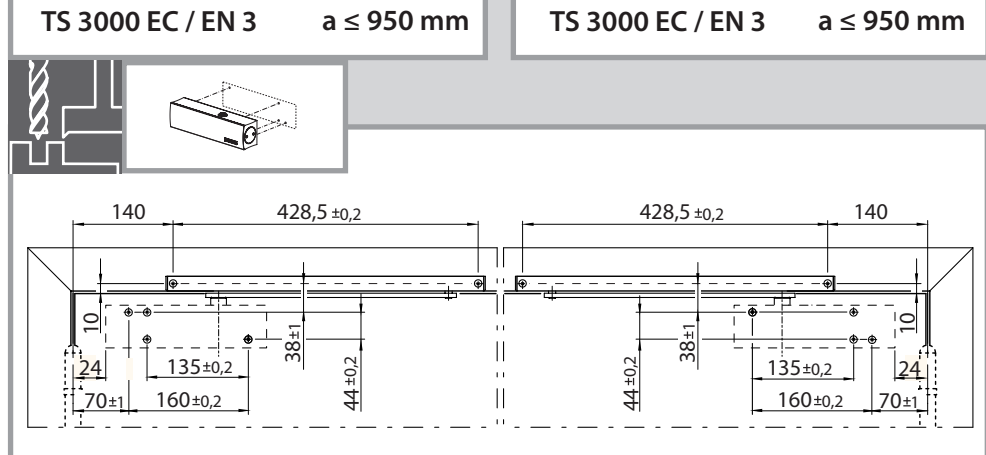
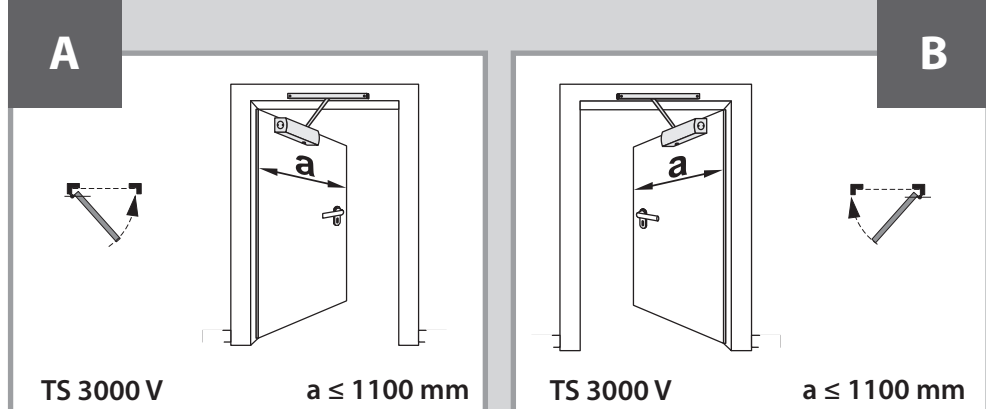


TS 3000 V
 TS 3000 EC / EN 3



TS 3000 V
 TS 3000 EC / EN 3





i TS 3000 V / TS 3000 V BC

CE	GEZE GmbH P.O. Box 1363 71226 Leonberg	13
0672-CPD-0082	EN 1154	4 8 4/1 1 1 4
Substanz: -----		
Made in Germany		

TS 3000 EC / TS 3000 EC BC

CE	GEZE GmbH P.O. Box 1363 71226 Leonberg	13
0672-CPD-0082	EN 1154	4 8 3/2 1 1 4
Substanz: -----		
Made in Germany		

TS 3000 EN 3

CE	GEZE GmbH P.O. Box 1363 71226 Leonberg	13
0672-CPD-0082	EN 1154	4 8 3 1 1 4
Substanz: -----		
Made in Germany		

CE	GEZE GmbH P.O. Box 1363 71226 Leonberg	13
0672-CPD-0271	EN 1154	4 8 4/1 1 1 4
Substanz: -----		
Engineered in Germany. Made by GEZE, PRC.		

CE	GEZE GmbH P.O. Box 1363 71226 Leonberg	13
0672-CPD-0271	EN 1154	4 8 3/2 1 1 4
Substanz: -----		
Engineered in Germany. Made by GEZE, PRC.		

CE	GEZE GmbH P.O. Box 1363 71226 Leonberg	13
0672-CPD-0271	EN 1154	4 8 3 1 1 4
Substanz: -----		
Engineered in Germany. Made by GEZE, PRC.		